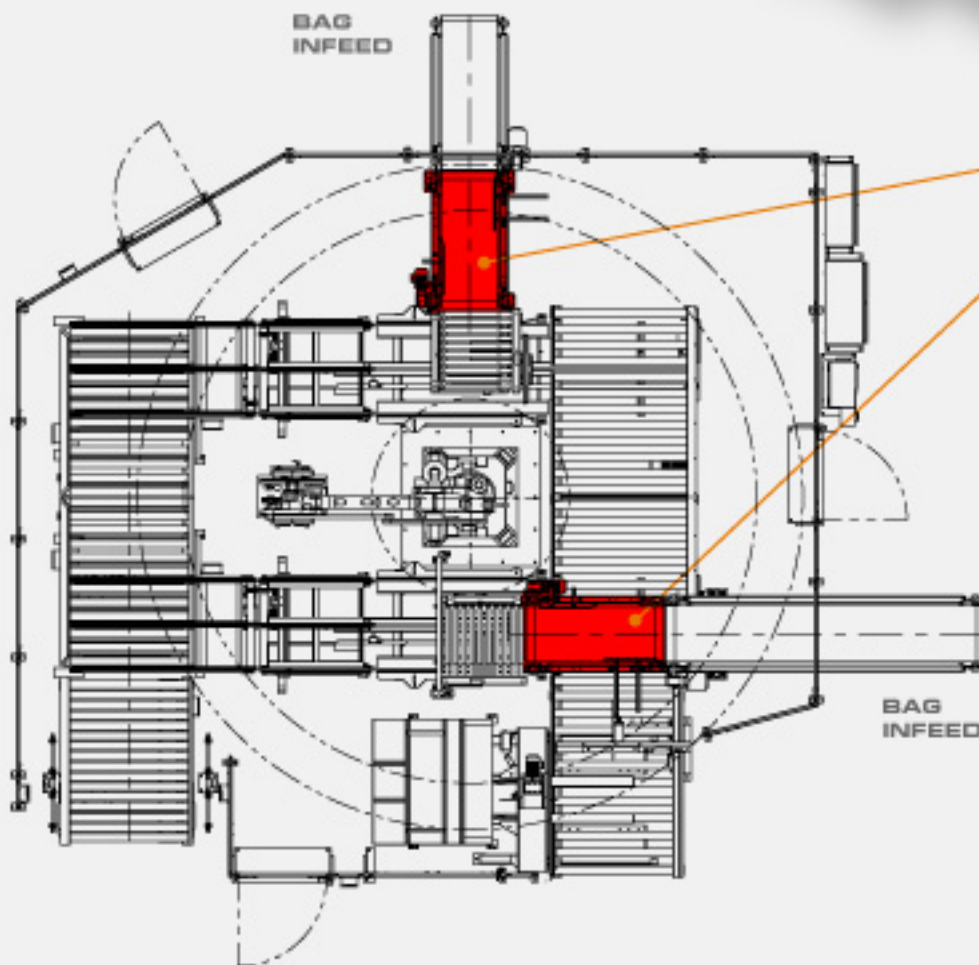
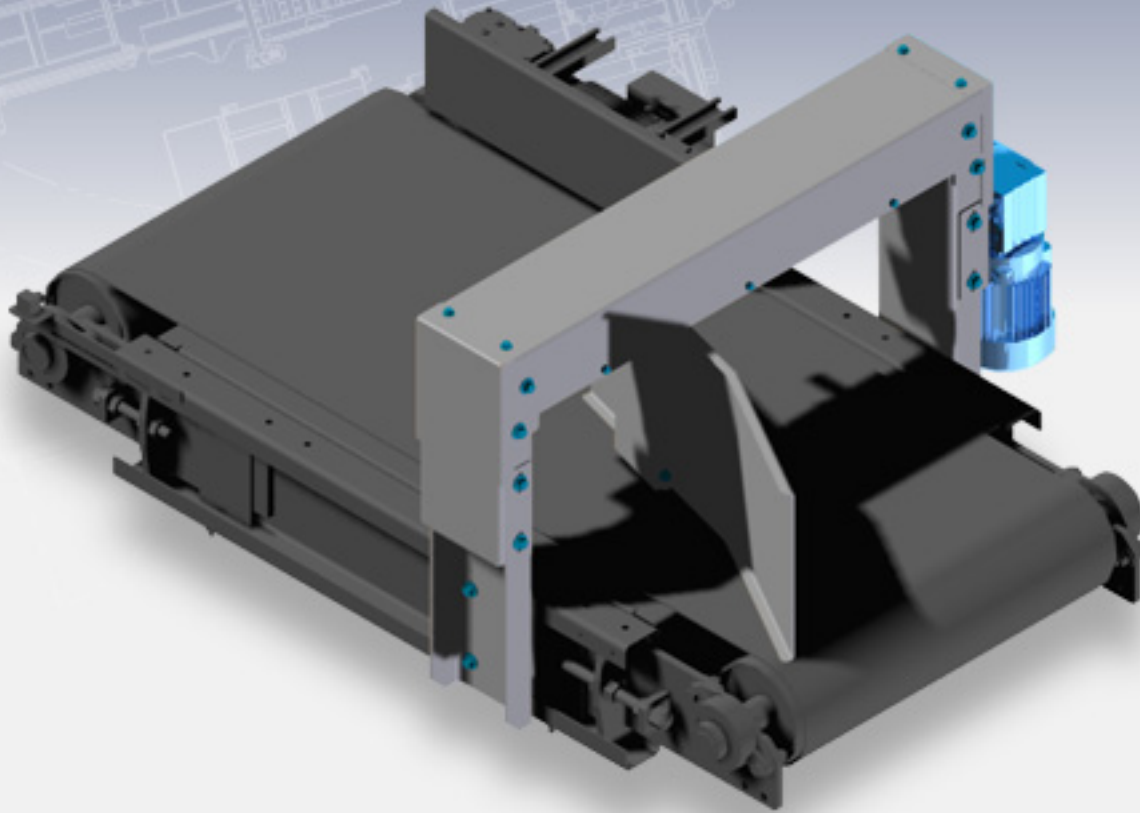


ROBOTIC PALLETIZING CELL (AR-200) AUTO BAG ALIGNMENT GUIDE

This Engineering Bulletin presents the latest improvements carried to the AR-200 Robotic Palletizing Cell. The changeover is now automatic (no mechanical adjustments) when combining the optional bag width adjustment system on finger gripper and motorized guides on alignment conveyor.



Alignement conveyor

- Easier to operate
- Safer: no need to enter the cell for adjustments
- Shorter changeovers
- Constant and precise adjustments = Your pallets always look nice

If you wish to improve your equipment, we will gladly answer your questions and provide you with a quotation.



François Kirouac

☎ 418-867-8883 ext. 6961

☎ 418-862-6642

@ service@premiertechsystems.com

WWW.PREMIERTECHSYSTEMS.COM