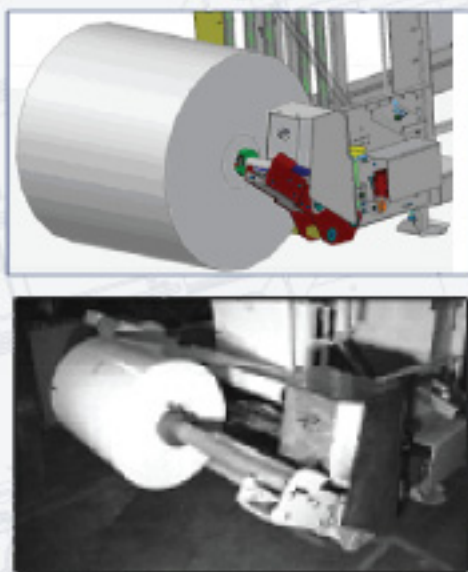


NEW HORIZONTAL FILM ROLL SUPPORT WITH LIFTING SYSTEM

Optional - Film Roll Lifting System:

The Film Roll Lifting system includes a complete pneumatic lifting device and an automatic locking system. The activation of a simple manual valve will lift the film roll directly from the floor or a pallet into the correct position for operation of the FFS system. This system can lift film rolls up to 48" diameter. It reduces film roll changeover time.



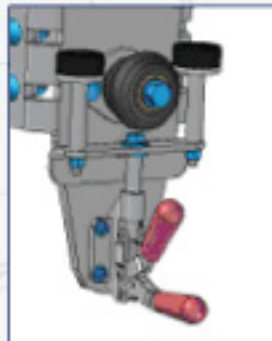
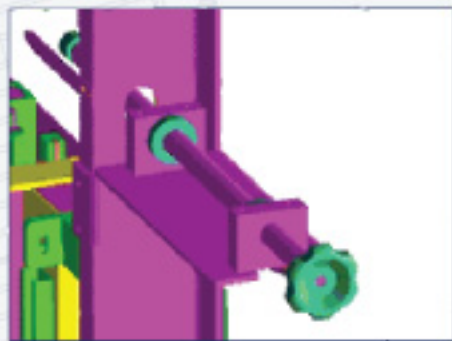
Features & benefits:

- Reduces U-film roll changeover time by more than 50%
- Safe and easy to operate, no extra lifting device needed
- Reduces risk of injury due to heavy film roll manipulation
- No telescopic effect with film rolls when winding tension is low
- Increases roll size capacity (up to 48" diameter)
- Second unwinding shaft available (optional)

LOCKING SYSTEM WITH CLAMP FOR INTERNAL MODULES

Description:

A new innovative locking system is now available for the FFS side sealer and hole perforator modules. This retrofit kit makes the adjustment handle easier to operate and the module can be locked into place after it is positioned.



Features & benefits:

- 600lbs locking force keeps module in accurate position during production
- No more friction on adjustment handle
- Module moves 4 times more quickly (compared to previous design)
- Bag changeover time reduced by 25%
- Safe, quick and easy to use

If you wish to improve your equipment, we will gladly answer your questions and provide you with a quotation.



**Premier Tech
Systems**

François Kirouac

☎ 418-867-8883 ext. 6961

☎ 418-862-6642

@ service@premiertechsystems.com

WWW.PREMIERTECHSYSTEMS.COM

